

COMPRESSOR FILTERS

Designed and Built for Today's Industries





TABLE OF CONTENTS

Conventional Wrap Style OIL SEPARATORS	2
Pleated Air-Oil SEPARATORS	3
Deep Filters OIL SEPARATORS	4
Spin-On Type OIL SEPARATORS	5
Refrigeration & Natural Gas OIL SEPARATORS	6
Coalescing FILTERS	7
Additional PRODUCTS	8
Panel Filter ELEMENTS	9



Compressed air and gas are essential in many industries for use in equipment operation, instrumentation, refrigeration and a variety of industrial processes. Clean, oil-free air/gas is a requirement to reduce maintenance and replacement cost. Unfortunately, even atmospheric air contains objectionable contaminants, in both solid and liquid forms, that must be removed prior to use as compressed gas. Additionally, in many compressor and vacuum packages, oil is a coolant and sealant, which must also be taken out prior to air use.

WIX Industrial Filters manufactures a wide range of air-oil separators for air compressors and vacuum packages as well as air inlet, oil and coalescing type filters that, when used together, provide the ultimate in system operation and protection.

WIX Industrial Filters oil separators operate on the familiar principles of fine liquid droplet coalescence in a flowing gas stream. These processes have been refined and tailored into packages that meet the special high-performance and physical requirements of the air/gas compressor industry.

Regardless of style (conventional pleated or deep), WIX Industrial Filters oil separators will provide for performance as shown here:

Pressure drop (at load): 2-3 psi / .20 bar

Pressure resistance (against collapse): 70 psi / 5 bar

Efficiency (remaining oil in gas stream): 2-3 ppm / 2-3 mg/m³

Operation temperature: (standard) 180°F / 82°C to 230°F / 110°C
(higher temperature models available)

Materials: A. Media - both wet laid and high loft solely or in combination

B. Bonding compound - polyurethane or epoxy

C. Body components - corrosion-resistant steel

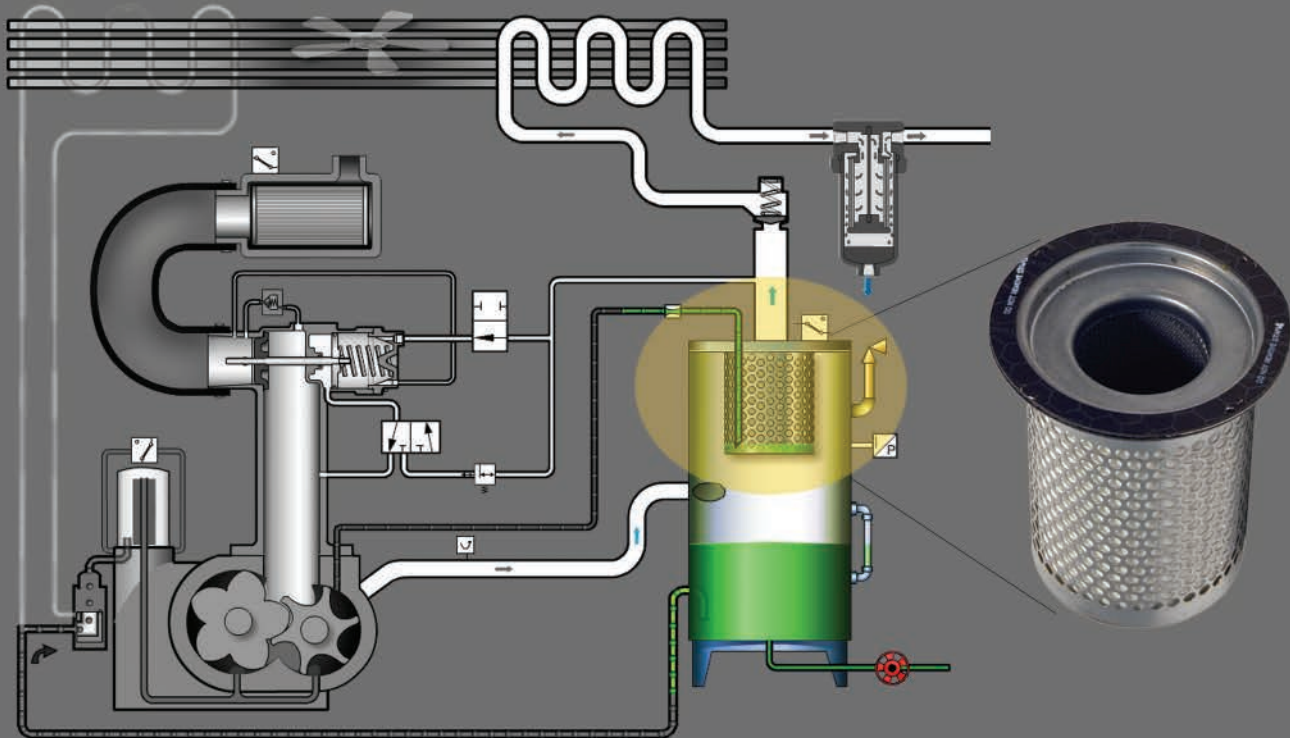
Service life: Dependent mainly upon the cleanliness for the oil and gas being compressed as well as the initial amount of oil contained in the gas stream; several thousands of hours of operation are possible in a well-functioning compressor or vacuum system.

Conventional Wrap Style OIL SEPARATORS

The standard conventional oil separator was originally designed for the removal of oil aerosols from the compressed air stream. This element design consists of a specific amount of uniform-grade borosilicate glass fibers “wrapped” onto a support tube. When properly sized to the cfm/m³/min flow rate and corresponding operating pressure of the machine, this element will provide consistent performance according to the following data:

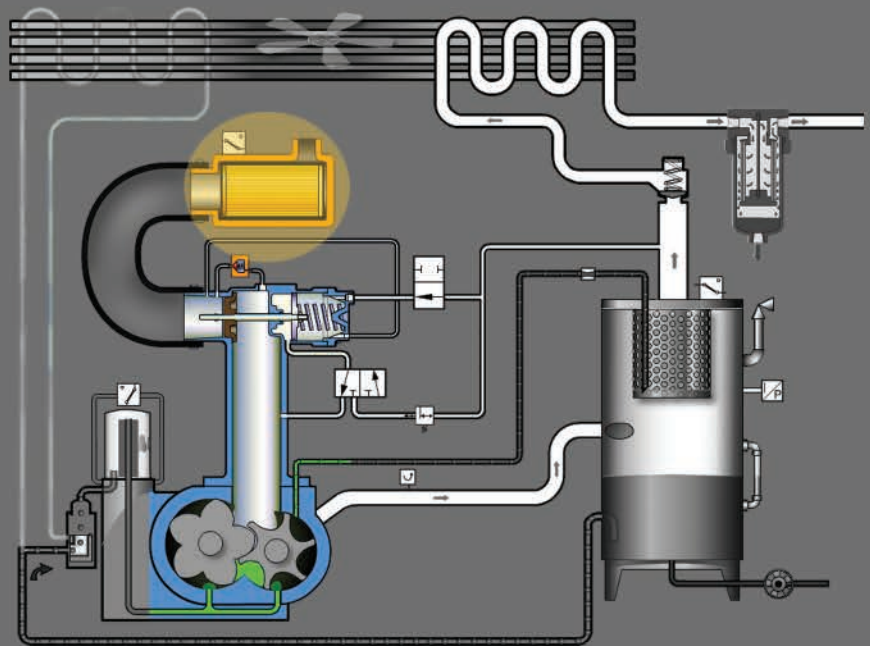
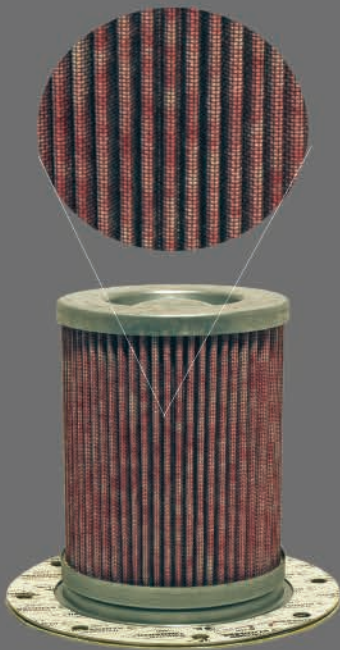
Service Life

The rise in flow resistance and service life primarily depends on the cleanliness of the oil and the quality of the filter. A service life of several thousand hours can be achieved with a well-functioning system.



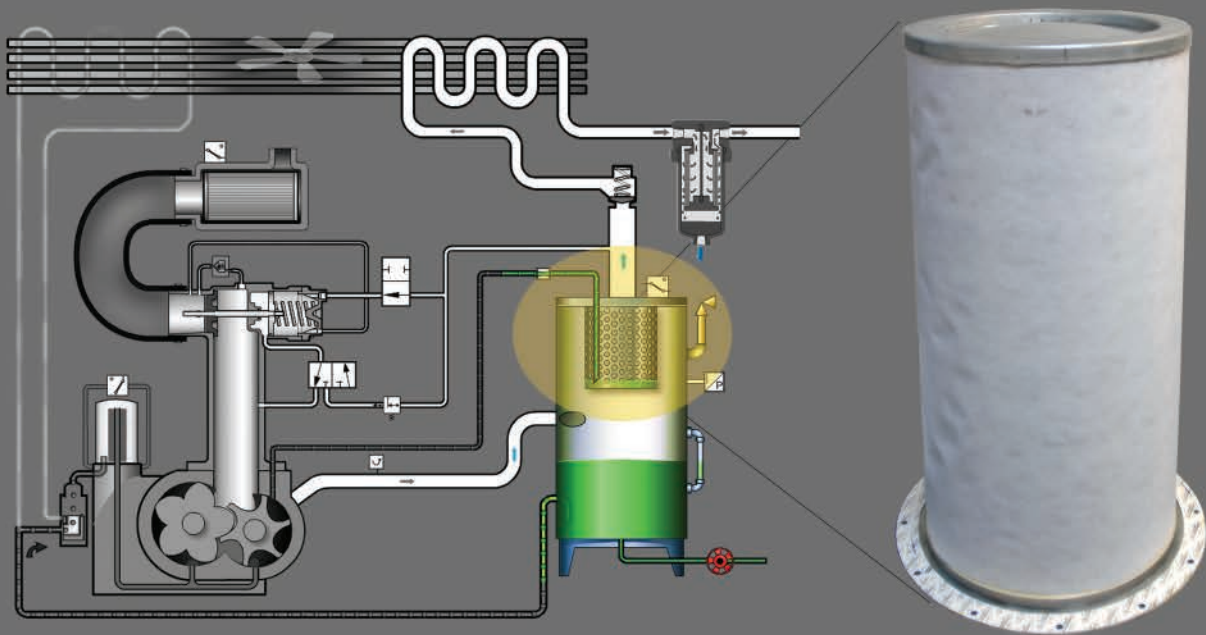
Pleated Air-Oil SEPARATORS

One common method of increasing the capacity of a given sized air-oil separator is through the use of pleated filter media. In this case, the filter media is processed through a machine whereby the normally flat surface is “pleated” or induced into a wave-like appearance. A separator configured in this manner can then be suited for approximately 2x the air-flow capacity, as that of a standard air-oil separator manufactured in the wrapped method.



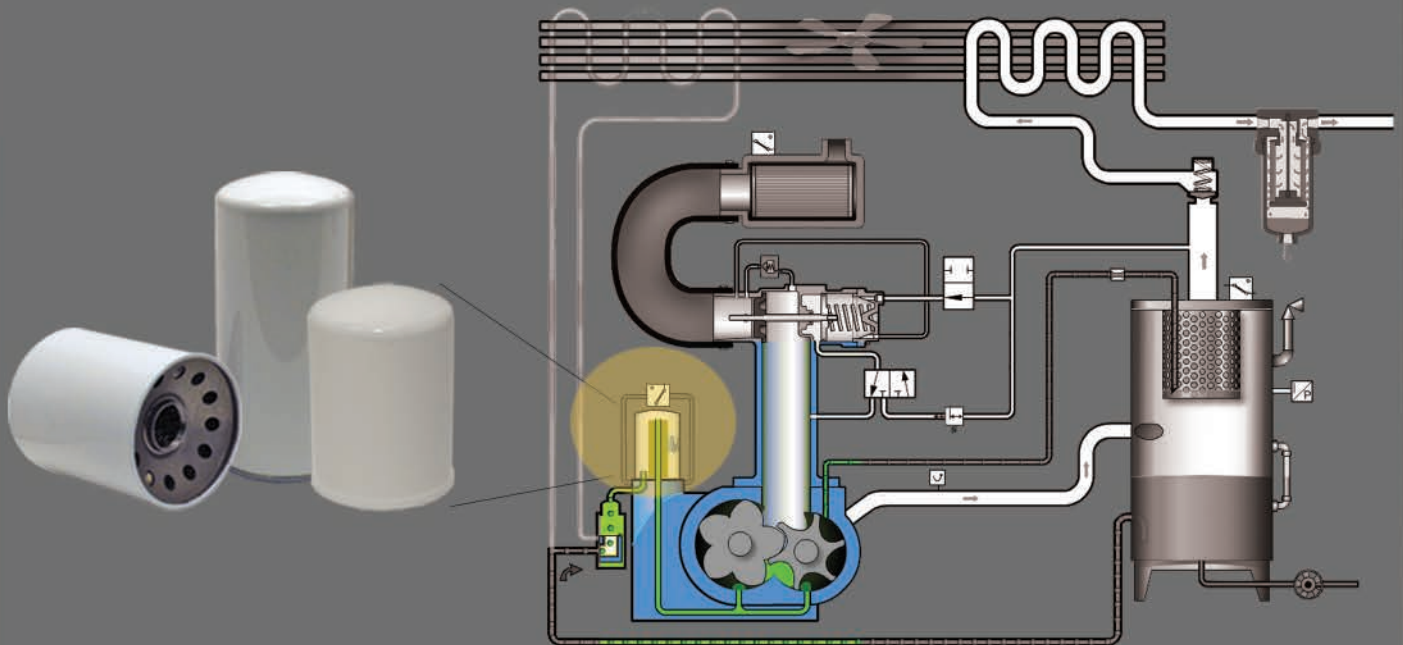
Deep Filter OIL SEPARATORS

Another common method of obtaining increased air-flow capacity from a given size air-oil separator is to manufacture the element in what's called "deep filter" construction. This form of separator uses as many as three different grades of borosilicate glass wrapped onto the support tube in larger than normal amounts. The finished product then achieves increased air-flow capacity very similar to that of the pleated air-oil separator, while simultaneously maintaining low initial pressure drop and residual oil content. Field testing of this element has demonstrated an improvement in oil separation, especially in high "challenge rate" applications, in which more oil aerosol is contained in the compressed air than is normal.



Spin-On OIL SEPARATORS

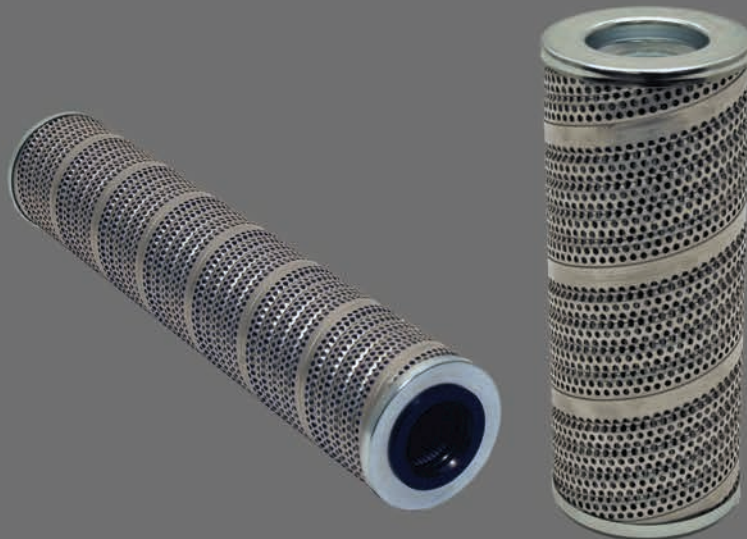
This method of oil separation consists of a deep-bed-type oil separator element, placed inside of a pressure resistant body, or “can,” similar to that of traditional oil filters. Extremely easy to replace in comparison to standard oil separators, which are enclosed in a pressurized tank, this element design is somewhat limited in application due to restrictions of air-flow capacity.



Refrigeration & Natural Gas OIL SEPARATORS

Special inorganic materials are required for the construction of properly functioning oil separators in refrigeration and natural-gas-compressor packages. In these units, gases other than air (such as Freon, ammonia or natural gas) are compressed and mixed with lubrication oil, which still must be removed prior to the use of gas. These types of gases, along with ancillary materials often contained in natural gas, are not suitable for typical oil-separator construction, and care must be given to the proper selection of all materials in order to ensure appropriate functioning of the separator.

From the coalescing materials to the sealing methods used, you can be confident in oil separators for refrigeration and natural gas purchased from WIX Industrial Filters. A wide range of standard sizes are available, as well as a broad capability to produce custom-suited elements for your specific application.

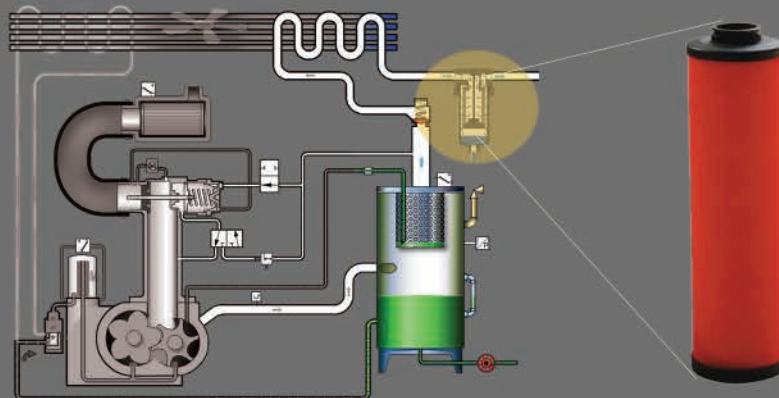


Coalescing Filters OIL FILTERS

Compressed air often must be further filtered to meet the exacting needs of the industrial applications for which it is used. This is most effectively done through the use of a downstream coalescing filter or series of filters. It is a common misconception that “oil-free” air compressors do not require this precaution. However, atmospheric air typically contains a significant amount of water, oil vapor and other contaminants, especially in industrial areas.

Upon compression, therefore, these contaminants are concentrated into the compressed air, whether the machine is “oil-free” or oil-flooded. Accordingly, the use of fine coalescing filters is essential for both types of compressors, so as to prevent an accumulation of such contaminants in pneumatic machinery.

Coalescing filters are the simple way to avoid such contamination in your expensive equipment. Our filters provide the highest level of clean, compressed air with a minimum loss of energy (pressure drop). Through the selection of the appropriate grade of borosilicate-microglass-filtration media and maintaining the quantity, diameter, and direction of individual fibers, WIX coalescing filters guarantee your air-compressor system will operate correctly with minimal operational upkeep.



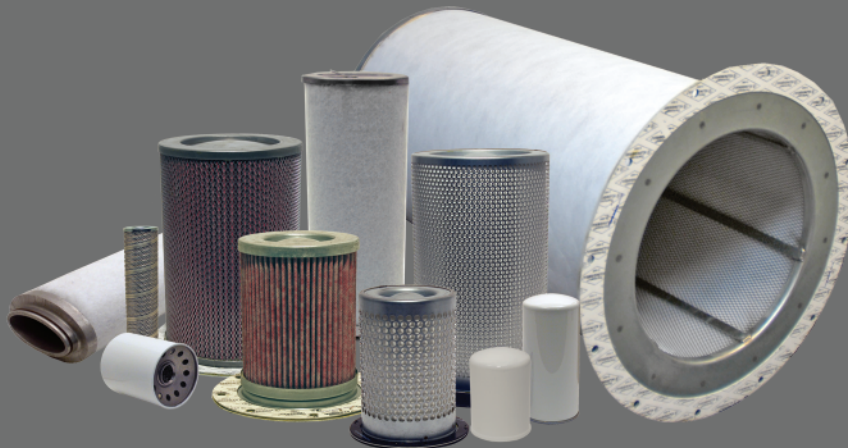
Additional PRODUCTS

WIX Industrial Filters produces a wide range of additional filter products, including:

- Air filters for compressors
- Air filters for vacuums
- Oil separators for vacuums

Air filters are produced with either resin-impregnated cellulose or synthetic-polyester-filter media, in either plastisol or metal-end construction, as well as the latest metal-free air-intake filters.

Oil separators for vacuum packages are constructed similarly to that of the standard oil separators used in air compressors; thus they will offer the same type of oil-removal performance (in the range of 1-3 ppm / 1-3 mg/m³). However, such separators are designed exclusively for flow direction from the outside to the inside of the separator, and are suitable only to a maximum pressure differential (collapse point) of 22 psi / 1.5 bar.



Panel Filter Elements

WIX Industrial Filters produces a wide range of panel filter elements, including:

- Interchanges for all manufacturers
- Rugged industrial construction
- Galvanized steel frames
- Metal straps for ease of removal
- Metal support screens, both sides
- Huge inventory
- Competitive pricing

